

Mesabi® Radiator

Application Form Page 1 of 3

Customer _____

Address line 1 _____

Address line 2 _____

City _____ State/Prov _____

Country _____ ZIP or Postal Code _____

Contact _____

Phone _____ Fax _____

Email _____ Date (mm/dd/yy) _____

Equipment _____

Equipment Make _____

Equipment Model _____

Serial No. _____

Engine _____

Engine Make _____

Engine Model _____

_____ hp @ _____ rpm

Transmission (if applicable) _____

Transmission Make _____

Watercooled or Aircooled

Transmission Model _____

Fan _____

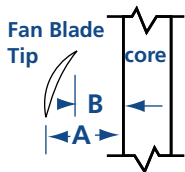
Please supply the Fan Make and Part Number _____

If not available, please supply the following:

Fan diameter _____ Number of blades _____

Pitch Width (PW=A-B) _____

Blower or Suction



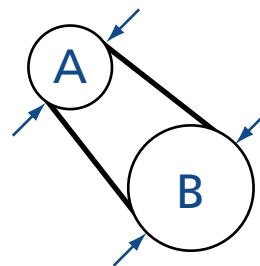
Fan Drive Ratio _____

Please supply the Fan Drive Ratio _____

If not available, please supply the following measurements:

Fan pulley diameter (A) _____

Crank pulley diameter (B) _____



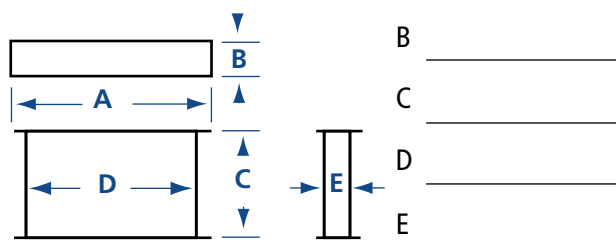
Mesabi® Radiator

Application Form Page 2 of 3

Radiator _____

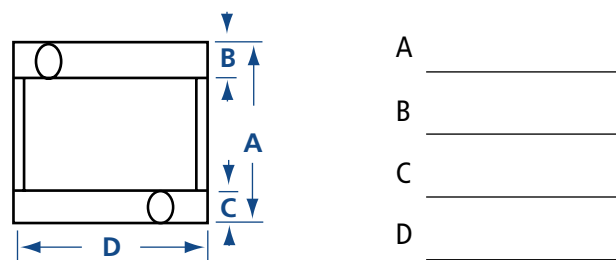
Please supply the OEM Radiator and/or Core Part Number, if available

Core Dimensions



A _____
 B _____
 C _____
 D _____
 E _____

Overall Dimensions

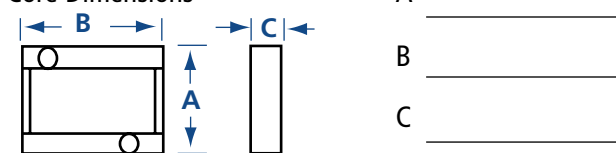


A _____
 B _____
 C _____
 D _____

Other Coolers in the Airstream _____

Please supply the OEM Radiator and/or Core Part Number if available

Core Dimensions



A _____
 B _____
 C _____

Additional Questions _____

Do you have any particular problems?

Corrosion

Clogging

Sandblasting

Other, (describe)

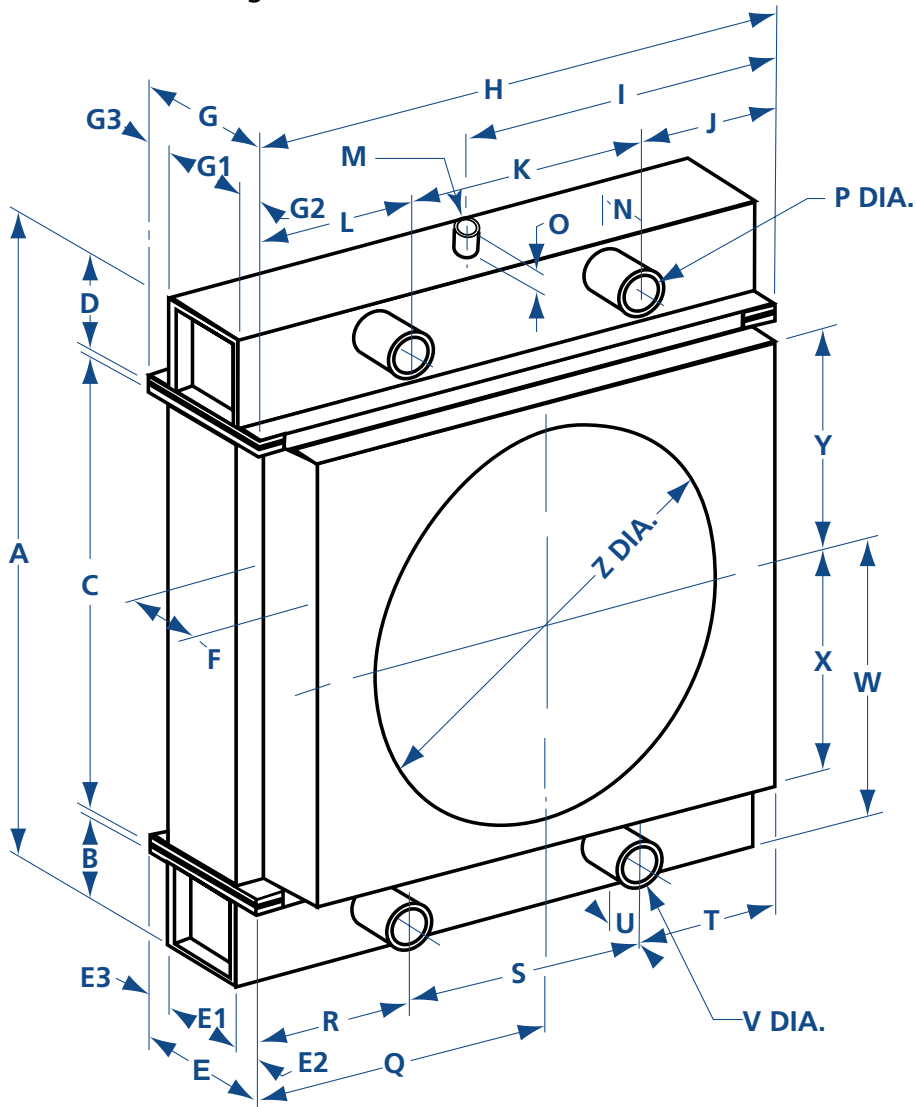
Site Conditions _____

Maximum Elevation _____ ft.

Maximum Outside Temperature _____ °F

Mesabi® Radiator

Application Form Page 3 of 3



A	E3	I	P	W
B	F	J	Q	X
C	G	K	R	Y
D	G1	L	S	Z
E	G2	M	T	Fill In Dimensions
E1	G3	N	U	
E2	H	O	V	

Sketch In Mounting Details